

plustek

AXIS[®]
COMMUNICATIONS



Plustek NVR 4200V

The Network Video Recorder Solution for Mobile/Transportation

Plustek NVR 4200V is the mobile network video recorder that is specifically designed for public transit applications. Engineered to withstand the often-heavy vibrations generated by the vehicles, the ability to withstand the temperature fluctuations built for dependability, long life, and low maintenance. Plustek NVR 4200V is the requisite choice for mobile surveillance in all types of public and commercial vehicles such as taxis, vans, buses, trains, trams, limousines, and heavy goods vehicles.

Not only does Plustek NVR 4200V provides additional secure environment for the passengers, moreover, it serves as an additional marketing

channel by allowing commercials to air. The possibility of showing advertisement offers a source of revenue for the transport operators, allowing the IP solution to pay for the surveillance solution itself.

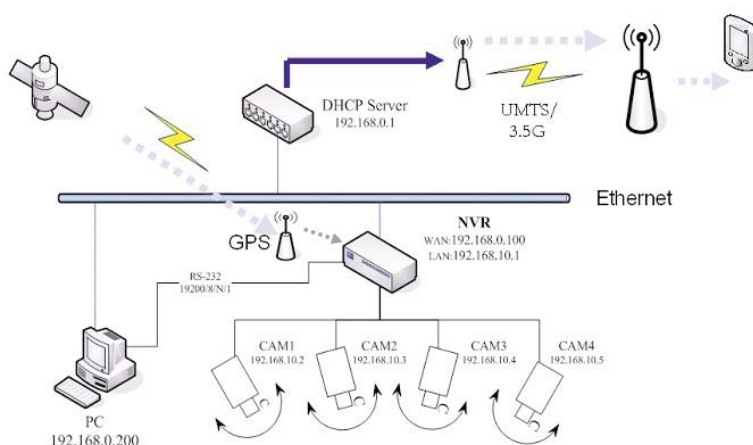
Plustek NVR 4200V is capable of multiplex recording up to 4 cameras at up to 60fps, while concurrently handling panic/system alarms, processing GPS positing data, transmitting positional co-ordinates via SMS and using intelligent power management. With the above and a multitude of other features combined to make Plustek NVR 4200V the most powerful public transportation surveillance tool available.

The Network Video Recorder Solution for Mobile/Transportation



Key Features

- Distributed Management System
- High speed recording
- Dual Backup Mode
- Weekly Scheduled Recording
- Auto IP System
- Suppresses heavy vibrations encountered during transit
- Durable, spring-cushioned housing to extend disk life in high-vibration environments
- Active cooling/heating to protect disk in extreme temperatures



Software Application

Communication Protocol:

TCP/IP / HTTP (Web Services) / UPnP (Only for discovering the IGD and open the virtual server) / SNTP (for Time & Date) / DHCP Server/Fixed IP (for Web cams LAN port) / DHCP Client/Fixed (for NVR itself) / TFTP (for upgrade) / CLI (for console Operating, used for DEBUG & Factory) / SMTP (for Alarm Notification) / FTP Client/sever (for Alarm Notification) / DDNS (Vendor Dependent)

Software AP:

Motion JPEG Complete recordingTiming schedule / System check / Quad mode for simultaneous recording / Playback / Search NVR AP / Backup AP / Motion detection / Multiple language / Alarm triggered FTP / Pre/ Post alarm recording / 4-CH Viewing System / 60 fps per VGA: 640x480 hi-quality, 120 fps per CIF: 320x240 hi-quality, and 120 fps per QCIF (QQVGA) 160x120 hi-quality

Specification

Hard Drive Disk (HDD)	Support 1 x 3.5" SATA HDD up to 1.5TB
Video Channels	Supports up to 4 channels
Interface	10 / 100 Mbps Ethernet
Port	4 x LAN port for Network cameras 1 x WAN port for NVR
LED Indicators	Power status, HDD, WAN4 x Network camera connection status
Power	Secure power-off Switch/Button External power adaptor 24VDC Internal power adaptor 12VDC 5A
Reset	One-touch reset button (reset to manufacture setting)
Operating Environments	Temperature: - 10°C ~ + 60°C Humidity: 20% ~ 80% R.H. Shocks Vibration Test (random): Standard: Reference ISO16750-3 Test Acceleration: ~1G (m/S2) System Condition: Operation Mode Sine Vibration test: Test Acceleration: 5G System Condition: Non-operation Mode
Energy-saving Design	Low power consumption
Thermal Solution	Low noise fan
Automatic Data Protection	Supports automatic system startup after power outage
Dimensions	304 (W) x 210 (D) x 98 (H) mm / 11.97 (W) x 8.27 (D) x 3.86 (H) inch
Hardware Net Weight	4.15 KG / 9.14 lbs (HDD included)

System Requirements

IBM Compatible PC, with Pentium III 1G or faster CPU / CD-ROM Driver / one available USB Port / 256 MB RAM (512 MB or higher recommended) / 800 MB free HDD space (1G or larger recommed) / High Color graphic card (VGA or higher) / Microsoft Windows 2000, XP, Vista/ Internet Explorer Version 6 and Above



© 2009 by Plustek Inc. All registered trademarks are the property of their respective owners.

Headquarters: sales@plustek.com