



IPR7334X / IPR7338X

DAY & NIGHT 3MP HD VARI-FOCAL IR IP CAMERA



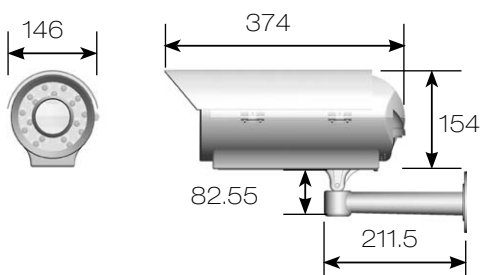
As with all Pro series cameras, the IPR7334X/IPR7338X incorporates Sense up+, a unique technology that successfully delivers stunning video in low-light conditions. Utilizing intelligent image signal processing, AGC control, and 3D Noise Reduction, this model successfully delivers the ultimate low-light image without motion blur. The IPR7334X/IPR7338X is capable of producing four independent video streams, different streams can be set for different applications, depending on the individual user requirements. The IP66-rated housing is designed to help the camera body withstand rain and dust and ensures operation under a multitude of harsh weather conditions.

FEATURES :

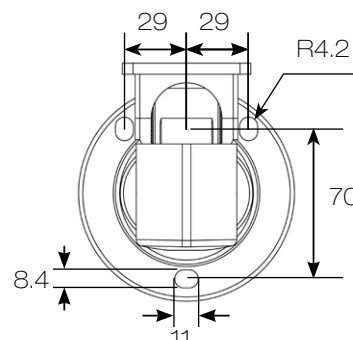
- Full HD 3.27 megapixel CMOS image sensor
- True H.264 AVC/MPEG-4 part 10 real-time Video compression
- H.264 and Motion JPEG multi-profile Video streaming
- 3D Noise Reduction (MCTF)
- 2D WDR function
- Digital PTZ supported
- Face / tampering / audio / motion / alarm detection
- Cable managed housing and bracket
- High efficiency IR LED, Radiant distance up to 70m
- Day & Night (IR cut removable)
- 2-way audio supported
- Digital I/O : 1 in, 1 out
- ONVIF supported

DIMENSIONS : (Unit : mm)

Body : 146 x 154 x 374 (W x H x D) Bracket : 211.5 (L)



INSTALLATION HOLE SITE DIAGRAM :



SPECIFICATION :

Name		Day & Night 3MP HD Vari-focal IR IP Camera	
Model		IPR7334SX5	IPR7338SX5
Lens	Focal length	5 - 50 mm	
	Iris	F1.6	
	Angle of view	H	58.8° - 6.5°
		V	33.9° - 3.7°
D		66.9° - 7.4°	
Pick up element		1/2.8" CMOS image sensor	
Effective pixels		2096 (H) x 1561 (V) = 3,271,856 (pixel)	
Chip size		7.96mm (H) x 7.61mm (V)	
Scanning system		Progressive scan	
Infrared cut filter		Auto / schedule / day (color) / night (mono)	
Min. illumination		0.3 Lux at F1.6 (Low light mode) / 0 Lux with IR LED on	
White balance		Auto / tungsten / indoor / fluorescents1 / fluorescents2 / outdoor1 / outdoor2	
Back light compensation		Off / on	
Electrical shutter		1/30s - 1/8000s	
Sense up		Off / 1 frame / 2 frames / 3 frames / 7 frames	
Sense up +		Yes	
Auto gain control		36 dB variable gain	
3D Noise Reduction		Off / 1 - 32 selectable	
2D WDR		Off / auto / x2 / x3 / x4	
Privacy masking		Off / on (4 zones)	
Image effects		Brightness, Contrast, Hue, Saturation, Sharpness, Mirror, Flip	
Live Video output		CVBS 1.0Vp-p, 75 ohm, BNC connector	
Audio in / output		Mono, 1.4 Vp-p , 50 K Ω , Terminal connector	
IP rating		IP66	
Blower control		On : 35°C , Off : 25°C	
Heater control		On : 15°C , Off : 25°C	
Window		Ø110 heat resistant glass	
Infrared LED	Peak wavelength	850nm	
	Beam spread	6°	
	Radiant distance	70M	
Operating temperature		-40°C - +50°C (-40°F - 122°F)	
Dimension		Body : 146mm(W) x 154mm(H) x 374mm(D), Bracket : 211.5mm(L)	
Weight		3800g	
Power supply		AC24V (\pm 10%)	AC100 - 240V (\pm 10%)
Power consumption		33W(Heater Off) / 40W(Heater On)	

Network		
Video compression	H.264 , Motion JPEG	
Resolution	3MP(2048 x 1536), 1080P(1920 x 1080), 720P(1280 x 720), D1(720 x 480), CIF(352 x 240)	
Multiple profile	Profile #1	H.264 : up to 30 FPS @ 1920 x 1080, MJPEG : up to 30 FPS @ 720 x 480
	Profile #2	H.264 : up to 30 FPS @ 1280 x 720, MJPEG : up to 30 FPS @ 352 x 240
	Profile #3	H.264 : up to 30 FPS @ 1920 x 1080, MJPEG : up to 30 FPS @ 1280 x 720
	Profile #4	H.264 : up to 30 FPS @ 720 x 480, MJPEG : up to 15 FPS @ 1920 x 1080
	Profile #5	H.264 : up to 15 FPS @ 2048 x 1536, MJPEG : up to 15 FPS @ 720 x 480
Video streaming	RTP/HTTP, RTP/TCP, RTP/UDP, Multicast	
Video bitrate	128Kbps - 5Mbps	
	Frame rate and bit rate controllable on-the-fly VBR / CBR / GOP supported	
Security	Base64 HTTP encryption	
	Multiple user access levels with password protection	
	10 user accounts available	
Users	8 simultaneous users	
ePTZ & digital zoom	Yes, ROI is supported	
OSD	Text overlay for date, time, and camera name	
Alarm function	Alarm / motion / tampering / face / alarm detection triggering recording into SD card Image upload over FTP and E-mail by face / tampering / audio / motion detection	
CPU, memory	Embedded SoC ARM11, 528MHz, 256MB DDR2, 256MB flash memory	
Maintenance	Firmware update via HTTP	
	Firmware available at web site	
Network interface	10Mbps / 100Mbps Base-T, RJ-45	
PC requirement	OS : Windows 2000, Windows XP, Windows Vista, Windows 7, Windows 8	
	Browser : Windows Internet Explorer 6.0 or above	
	CPU : intel pentium 4 1.8GHz or above RAM : 1GB or above, independent display card	
Network protocols	IP, TCP, UDP, HTTP, SMTP, NTP, DDNS, UPnP, FTP, ARP, DHCP, PPPoE, DNS, RTSP, RTCP, Telnet, ICMP, IGMP, ONVIF Profile S, SNMP, SIP, Bonjour	
Mobile phone	iPhone, iPad, and Android support	
System integration	ONVIF & LILIN HTTP API	
Central management system	CMX 3.6 / NAV 1.0 support	
Video display	LILIN Universal ActiveX & LILIN Java Applet	
OS	Embedded Linux 2.6.32	
Two-way audio	G.711 / PCM	
SD card recording	Support SD/SDHC card for circular recording (card is not included)	
Alarm input / output	Digital 1 input (TTL, +3 - 5VDC) / 1 Output (MOS Relay contact N.O., Load max. 40VDC/300mA)	

