



IPR434X / IPR438X

DAY & NIGHT 3MP HD VARI-FOCAL IR IP CAMERA



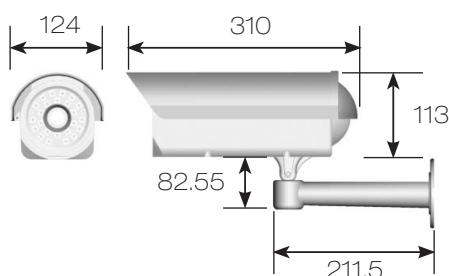
As with all Pro series cameras, the 3MP HD Vari-Focal IR IP Camera IPR434X/IPR438X incorporates Sense up+, a unique technology that successfully delivers stunning video in low-light conditions. Utilizing intelligent image signal processing, AGC control, and 3D Noise Reduction, this model successfully delivers the ultimate low-light image without motion blur. The IPR434X/IPR438X is capable of producing four independent video streams, different streams can be set for different applications, depending on the individual user requirements. The IP66-rated housing is designed to help the camera body withstand rain and dust and ensures operation under a multitude of harsh weather conditions.

FEATURES :

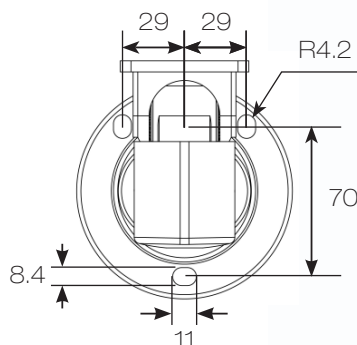
- Full HD 3.27 megapixel CMOS image sensor
- True H.264 AVC/MPEG-4 part 10 real-time Video compression
- H.264 and Motion JPEG multi-profile Video streaming
- 3D Noise Reduction (MCTF)
- 2D WDR function
- Digital PTZ supported
- Face / tampering / audio / motion / alarm detection
- Cable managed housing and bracket
- High efficiency IR LED, Radiant distance up to 70m
- Day & Night (IR cut removable)
- 2-way audio supported
- Digital I/O : 1 in, 1 out
- ONVIF supported

DIMENSIONS : (Unit : mm)

Body : 124 x 113 x 310 (W x H x D) Bracket : 211.5(L)



INSTALLATION HOLE SITE DIAGRAM :



SPECIFICATION :

Name		Day & Night 3MP HD Vari-focal IR IP Camera			
Model		IPR434ESX3.6	IPR438ESX3.6	IPR434ESX2.4	IPR438ESX2.4
Lens	Focal length		3.3 – 12 mm		9 – 22 mm
	Iris		F1.4		F1.4
	Angle of view	H	79.3° – 29.8°		29.5° – 12.4°
		V	59.4° – 22.4°		22° – 9.3°
D		99° – 37.3°		36.9° – 15.5°	
Pick up element		1/2.8" CMOS image sensor			
Effective pixels		2096 (H) x 1561 (V) = 3,271,856 (pixel)			
Chip size		7.96mm (H) x 7.61mm (V)			
Scanning system		Progressive scan			
Infrared cut filter		Auto / schedule / day (color) / night (mono)			
Min. illumination		0.15 Lux at F1.4 (Low light mode) / 0 Lux with IR LED on			
White balance		Auto / tungsten / indoor / fluorescents1 / fluorescents2 / outdoor1 / outdoor2			
Back light compensation		Off / on			
Electrical shutter		1/30s - 1/8000s			
Sense up		Off / 1 frame / 2 frames / 3 frames / 7 frames			
Sense up +		Yes			
Auto gain control		36 dB variable gain			
3D Noise Reduction		Off / 1 - 32 selectable			
2D WDR		Off / auto / x2 / x3 / x4			
Privacy masking		Off / on (4 zones)			
Image effects		Brightness, Contrast, Hue, Saturation, Sharpness, Mirror, Flip			
Live Video output		CVBS 1.0Vp-p, 75 ohm, BNC connector			
Audio in / output		Mono, 1.4 Vp-p , 50 K Ω , terminal connector			
IP rating		IP66			
Window		\varnothing 78 heat resistant glass			
Infrared LED	Peak wavelength		850nm		
	Beam spread		30°		
	Radiant distance		55M		
Operating temperature		-40°C – +50°C (-40°F – 122°F)			
Dimension		124mm(W) x 113mm(H) x 310mm(D), Bracket : 211.5mm(L)			
Weight		2200g			
Power supply		AC24V (\pm 10%)	AC100 – 240V (\pm 10%)	AC24V (\pm 10%)	AC100 – 240V (\pm 10%)
Power consumption		PoE+ (IEEE 802.3at compliant) 17W (PoE+, 20W)			

Network					
Video compression		H.264 , Motion JPEG			
Resolution		3MP(2048 x 1536), 1080P(1920 x 1080), 720P(1280 x 720), D1(720 x 480), CIF(352 x 240)			
Multiple profile	Profile #1	H.264 : up to 30 FPS @ 1920 x 1080, MJPEG : up to 30 FPS @ 720 x 480			
	Profile #2	H.264 : up to 30 FPS @ 1280 x 720, MJPEG : up to 30 FPS @ 352 x 240			
	Profile #3	H.264 : up to 30 FPS @ 1920 x 1080, MJPEG : up to 30 FPS @ 1280 x 720			
	Profile #4	H.264 : up to 30 FPS @ 720 x 480, MJPEG : up to 15 FPS @ 1920 x 1080			
	Profile #5	H.264 : up to 15 FPS @ 2048 x 1536, MJPEG : up to 15 FPS @ 720 x 480			
Video streaming		RTP/HTTP, RTP/TCP, RTP/UDP, Multicast			
Video bitrate		128Kbps – 5Mbps Frame rate and bit rate controllable on-the-fly VBR / CBR / GOP supported			
Security		Base64 HTTP encryption Multiple user access levels with password protection 10 user accounts available			
Users		8 simultaneous users			
ePTZ & digital zoom		Yes, ROI is supported			
OSD		Text overlay for date, time, and camera name			
Alarm function		Alarm / motion / tampering / face / alarm detection triggering recording into SD card Image upload over FTP and E-mail by face / tampering / audio / motion detection			
CPU, memory		Embedded SoC ARM11, 528MHz, 256MB DDR2, 256MB flash memory			
Maintenance		Firmware update via HTTP Firmware available at web site			
Network interface		10Mbps / 100Mbps Base-T, RJ-45			
PC requirement		OS : Windows 2000, Windows XP, Windows Vista, Windows 7, Windows 8 Browser : Windows Internet Explorer 6.0 or above CPU : intel pentium 4 1.8GHz or above RAM : 1GB or above, independent display card			
Network protocols		IP, TCP, UDP, HTTP, SMTP, NTP, DDNS, UPnP, FTP, ARP, DHCP, PPPoE, DNS, RTSP, RTCP, Telnet, ICMP, IGMP, ONVIF Profile S, SNMP, SIP, Bonjour			
Mobile phone		iPhone, iPad, and Android support			
System integration		ONVIF & LILIN HTTP API			
Central management system		CMX 3.6 / NAV 1.0 support			
Video display		LILIN Universal ActiveX & LILIN Java Applet			
OS		Embedded Linux 2.6.32			
Two-way audio		G.711 / PCM			
SD card recording		Support SD/SDHC card for circular recording (card is not included)			
Alarm input / output		Digital 1 input (TTL, +3 – 5VDC) / 1 Output (MOS Relay contact N.O., Load max. 40VDC/300mA)			

