



IPD6220 / IPD6222

1080P HD VANDAL RESISTANT DOME IP CAMERA



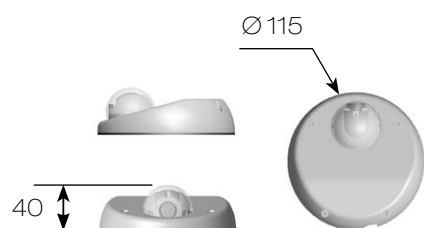
As with all Pro series cameras, IK8 vandal proof dome 1080P HD Vandal Resistant Dome IP Camera IPD6220 / IPD6222 incorporates Sense up+, a unique technology that successfully delivers stunning video in low-light conditions. Utilizing intelligent image signal processing, AGC control, and 3D Noise Reduction, this model successfully delivers the ultimate low-light image without motion blur. The IPD6220 / IPD6222 is capable of producing four independent video streams, different streams can be set for different applications, depending on the individual user requirements. The IP67-rated housing is designed to help the camera body withstand rain and dust and ensures operation under a multitude of harsh weather conditions.

FEATURES :

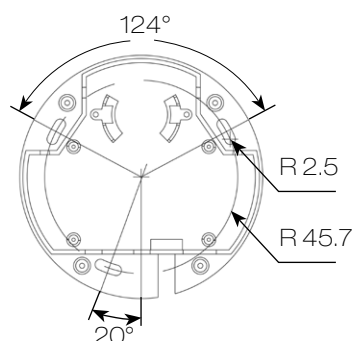
- Full HD 2 megapixel CMOS image sensor
- True H.264 AVC/MPEG-4 part 10 real-time Video compression
- H.264 and Motion JPEG multi-profile Video streaming
- Meets EN50155:2007 criteria for rolling stock applications
- 3D Noise Reduction (MCTF)
- 2D WDR function
- Digital PTZ supported
- Face / tampering / audio / motion detection
- Impact Resistant Polycarbonate Dome Cover
- Built-in highly sensitive microphone
- One-way audio supported
- ONVIF supported

DIMENSIONS : (Unit : mm)

Ø115 x 40



INSTALLATION HOLE SITE DIAGRAM :



SPECIFICATION :

Name		1080P HD Vandal Resistant Dome IP Camera				
Model		IPD6220ES2	IPD6220ES4.3	IPD6222ES2	IPD6222ES4.3	
Lens	Focal Length		2.8mm	4.3mm	2.8mm	4.3mm
	Iris		F1.8	F1.6	F1.8	F1.6
	Angle of View	H	105°	84.8°	105°	84.8°
		V	87°	45.2°	87°	45.2°
D		135°	100.6°	135°	100.6°	
Pick Up Element		1/2.7" CMOS image sensor				
Effective Pixels		1920 (H) x 1080 (V) = 2,073,600 (pixel)				
Chip Size		5.856mm (H) x 3.276mm (V)				
Scanning System		Progressive Scan				
Min. Illumination		0.8 Lux at F1.8	0.6 Lux at F1.6	0.8 Lux at F1.8	0.6 Lux at F1.6	
White balance		Auto / Tungsten / Indoor / Fluorescents1 / Fluorescents2 / Outdoor1 / Outdoor2				
Back light compensation		Off / On				
Electrical Shutter		1/30s - 1/8000s				
Sense up		Off / 1 Frame / 2 Frames / 3 Frames / 7 Frames				
Sense up +		Yes				
Auto gain control		36 dB Variable Gain				
3D Noise Reduction		Off / 1 - 32 Selectable				
2D WDR		Off / On				
Privacy Masking		Off / On (4 zones)				
Image Effects		Brightness, Contrast, Hue, Saturation, Sharpness, Mirror, Flip				
IP rating		IP67				
Vandal Resistant Rating		IK8				
Regulatory Approvals		Rolling Stock, EN50155: 2007 compliance (shock, vibration, temperature, and EMC)		-		
Operating Temperature		-40°C - +55°C (-40°F - 131°F)				
Dimension		Ø 115 x 40mm				
Weight		310g				
Power Supply		PoE (IEEE 802.3af compliant)		DC12V ±10% / PoE (IEEE 802.3af compliant)		
Power Consumption		5W		DC12V, 4.5W / PoE, 5W		

Network		
Video compression		H.264, Motion JPEG
Resolution		1080P(1920 x 1080), 720P(1280 x 720), D1(720 x 480), CIF(352 x 240)
Multiple profile	Profile #1	H.264 : up to 30 FPS @ 1920 x 1080, MJPEG : up to 30 FPS @ 720 x 480
	Profile #2	H.264 : up to 30 FPS @ 1280 x 720, MJPEG : up to 30 FPS @ 352 x 240
	Profile #3	H.264 : up to 30 FPS @ 1920 x 1080, MJPEG : up to 30 FPS @ 1280 x 720
	Profile #4	H.264 : up to 30 FPS @ 720 x 480, MJPEG : up to 15 FPS @ 1920 x 1080
Video streaming		RTP/HTTP, RTP/TCP, RTP/UDP, Multicast
Video bitrate		128Kbps - 5Mbps Frame rate and bit rate controllable on-the-fly VBR / CBR / GOP supported
Security		Base64 HTTP encryption Multiple user access levels with password protection 10 user accounts available
Users		8 simultaneous users
ePTZ & ROI		Yes, ROI is supported
OSD		Text overlay for date, time, and camera name
Alarm function		Motion / tampering / face detection triggering recording into SD card Image upload over FTP and E-mail by face / tampering / audio / motion detection
CPU, memory		Embedded SoC ARM11, 528MHz, 256MB DDR2, 256MB flash memory
Maintenance		Firmware update via HTTP Firmware available at web site
Network interface		10Mbps / 100Mbps Base-T, M12 connector (IPD6220ES4.3) 10Mbps / 100Mbps Base-T, RJ-45 (IPD6222ES4.3)
PC requirement		OS : Windows 2000, Windows XP, Windows Vista, Windows 7, Windows 8 Browser : Windows Internet Explorer 6.0 or above CPU : intel pentium 4 1.8GHz or above RAM : 1GB or above, independent display card
Network protocols		IP, TCP, UDP, HTTP, SMTP, NTP, DDNS, UPnP, FTP, ARP, DHCP, PPPoE, DNS, RTSP, RTCP, Telnet, ICMP, IGMP, ONVIF Profile S, SNMP, SIP, Bonjour
Mobile phone		iPhone, iPad, and Android support
System integration		ONVIF & LILIN HTTP API
Central management system		CMX 3.6 / NAV 1.0 support
Video display		LILIN Universal ActiveX & LILIN Java Applet
OS		Embedded Linux 2.6.32
One-way audio		G.711 / PCM
SD card recording		Support Micro SD/SDHC card for circular recording (card is not included)