



Fixed dome LR2122 in the L series is featuring built-in Sense up+ technology to deliver stunning video in low-light conditions. Utilizing intelligent image signal processing, 2D WDR function, AGC control, and 3D Noise Reduction, the combination successfully delivers the ultimate low-light image without motion blur. Support with PoE, privacy mask, White balance, and minimum illumination 0.5 Lux at F1.8 Low Light Mode.

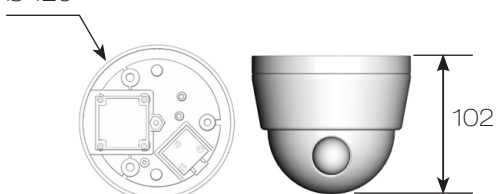
FEATURES :

- Full HD 2 megapixel CMOS image sensor
- True H.264 AVC/MPEG-4 part 10
- H.264 and Motion JPEG triple Video streaming
- 3D Noise Reduction (MCTF)
- 2D WDR function
- Digital zoom supported
- Motion detection
- 3-Axis camera construction
- Screw-on design dome cover for easy and secure installation
- High efficiency IR LED, Radiant distance up to 16m
- Day & Night (IR cut removable)
- ONVIF supported

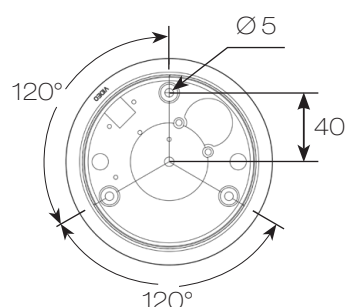
DIMENSIONS : (Unit : mm)

Ø120 x 102

Ø120



INSTALLATION HOLE SITE DIAGRAM :



SPECIFICATION :

Name		Day & Night 1080P HD Dome IR IP Camera		
Model		LR2122E4	LR2122E6	
Lens	Focal length	4 mm	6 mm	
	Iris	F1.6	F1.8	
	Angle of view	H	84.8°(H), 45.2°(V), 100.6°(D)	57.6°(H), 31.4°(V), 67.3°(D)
		V	37.4°	25.4°
	D	69.2°	49.4°	
Pick up element		1/2.7" CMOS image sensor		
Effective pixels		1920 (H) x 1080 (V) = 2,073,600 (pixel)		
Chip size		5.856mm (H) x 3.276mm (V)		
Scanning system		Progressive Scan		
Infrared cut filter		Auto / Schedule / Day (Color) / Night (Mono)		
Min. illumination		0.15 Lux at F1.6 (Low Light Mode) 0 Lux with IR LED ON	0.18 Lux at F1.8 (Low Light Mode) 0 Lux with IR LED ON	
White balance		Auto / Tungsten / Indoor / Fluorescents1 / Fluorescents2 / Outdoor1 / Outdoor2		
Back light compensation		Off / On		
Electronic shutter		1/30(1/25)s - 1/8000s		
Sense up		Off / 1 Frame / 2 Frames / 3 Frames / 7 Frames		
Sense up +		Yes		
Auto gain control		36 dB Variable Gain		
3D Noise Reduction		Off / 1 - 32 Selectable		
2D WDR		Off / x2 / x3 / x4		
Privacy masking		Off / On (4 zones)		
Image effects		Brightness, Contrast, Hue, Saturation, Sharpness, Mirror, Flip		
Infrared LED	Peak wavelength	850nm		
	Beam spread	30°		
	Radiant distance	16M		
Operating temperature		-25°C - +50°C (-13°F - 122°F)		
Dimension		Ø 120 x 102mm		
Weight		450g		
Power supply		DC12V ±10% / PoE (IEEE 802.3af compliant)		
Power consumption		DC12V, 7.5W / PoE, 8.5W		

Network	
Video compression	H.264 , Motion JPEG
Resolution	1080P(1920 x 1080), 720P(1280 x 720), D1(720 x 480), CIF(352 x 240)
Maximum frame rate	H.264 : up to 15 fps @ 1920 x 1080 , 30fps @ 1280 x 720 , 30fps @ 720 x 480 Motion JPEG : up to 15 fps @ 1920 x 1080 , 30 fps @ 720 x 480 , 30 fps @ 352 x 240
Video streaming protocol	RTP/HTTP, RTP/TCP, RTP/UDP, Multicast
Video bitrate	128Kbps - 5Mbps Frame rate and bit rate controllable on-the-fly VBR / CBR / GOP supported
Security	Base64 HTTP encryption Multiple user access levels with password protection 10 user accounts available
Users	8 simultaneous users
Digital zoom	Yes
OSD	Text overlay for date, time, and camera name
Alarm functions	Image upload over FTP and E-mail by motion detection
CPU, memory	Embedded SoC ARM11, 528MHz, 256MB DDR2, 256MB flash memory
Maintenance	Firmware update via HTTP Firmware available at web site
Network interface	10Mbps / 100Mbps Base-T, RJ-45
PC requirement	OS : Windows 2000, Windows XP, Windows Vista, Windows 7, Windows 8 Browser : Windows Internet Explorer 6.0 or above CPU : Intel Pentium 4 1.8GHz or above RAM : 1GB or above, Independent Display Card
Network protocols	IP, TCP, UDP, HTTP, SMTP, NTP, DDNS, UPnP, FTP, ARP, DHCP, PPPoE, DNS, RTSP, RTCP, Telnet, ICMP, IGMP, ONVIF Profile S, SNMP, SIP, Bonjour
Mobile phone	iPhone, iPad, and Android support
System integration	ONVIF & LILIN HTTP API
Central management system	CMX 3.6 / NAV 1.0 support
Video display	LILIN Universal ActiveX & LILIN Java Applet
OS	Embedded Linux 2.6.32