



Fixed dome LD2122 in the L series is featuring built-in Sense up+ technology to deliver stunning video in low-light conditions. Utilizing intelligent image signal processing, 2D WDR function, AGC control, and 3D Noise Reduction, the combination successfully delivers the ultimate low-light image without motion blur. Support with PoE, privacy mask, White balance, and minimum illumination 1 Lux at F1.6 Low Light Mode or 1.5 Lux at F1.8 Low Light Mode.

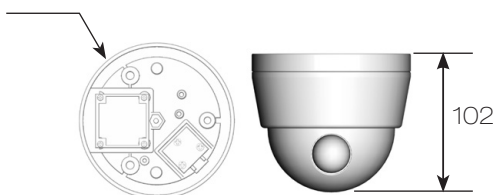
#### FEATURES :

- Full HD 2 megapixel CMOS image sensor
- True H.264 AVC/MPEG-4 part 10
- H.264 and Motion JPEG triple Video streaming
- 3D Noise Reduction (MCTF)
- 2D WDR function
- Digital zoom supported
- Motion detection
- 3-Axis camera construction
- Screw-on design dome cover for easy and secure installation
- ONVIF supported

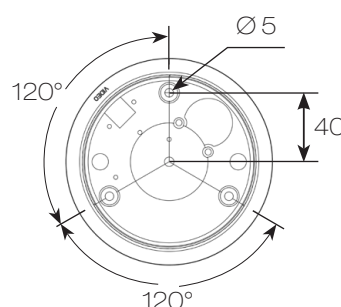
#### DIMENSIONS : (Unit : mm)

Ø120 x 102

Ø120



#### INSTALLATION HOLE SITE DIAGRAM :



## SPECIFICATION :

|                         |  |                         |          |       |
|-------------------------|--|-------------------------|----------|-------|
| Name                    |  | 1080P HD Dome IP Camera |          |       |
| Model                   |  | LD2122E4                | LD2122E6 |       |
| Lens                    | Focal length   | 4 mm                    | 6 mm     |       |
|                         | Iris   | F1.6                    | F1.8     |       |
|                         | Angle of view  | H                       | 84.8°    | 57.6° |
|                         |  | V                       | 45.2°    | 31.4° |
| D                       |  | 100.6°                  | 67.3°    |       |
| Pick up element         | 1/2.7" CMOS image sensor   |                         |          |       |
| Effective pixels        | 1920 (H) x 1080 (V) = 2,073,600 (pixel)  |                         |          |       |
| Chip size               | 5.856mm (H) x 3.276mm (V)  |                         |          |       |
| Scanning system         | Progressive Scan   |                         |          |       |
| Min. illumination       | 0.6 Lux at F1.6  | 0.8 Lux at F1.8         |          |       |
| White balance           | Auto / Tungsten / Indoor / Fluorescents1 / Fluorescents2 / Outdoor1 / Outdoor2 |                         |          |       |
| Back light compensation | Off / On   |                         |          |       |
| Electronic shutter      | 1/30(1/25)s - 1/8000s  |                         |          |       |
| Sense up                | Off / 1 Frame / 2 Frames / 3 Frames / 7 Frames                                 |                         |          |       |
| Sense up +              | Yes  |                         |          |       |
| Auto gain control       | 36 dB Variable Gain  |                         |          |       |
| 3D Noise Reduction      | Off / 1 - 32 Selectable  |                         |          |       |
| 2D WDR                  | Off / x2 / x3 / x4   |                         |          |       |
| Privacy masking         | Off / On (4 zones)   |                         |          |       |
| Image effects           | Brightness, Contrast, Hue, Saturation, Sharpness, Mirror, Flip                 |                         |          |       |
| Operating temperature   | -25°C - +50°C (-13°F - 122°F)  |                         |          |       |
| Dimension               | Ø 120 x 102mm  |                         |          |       |
| Weight                  | 400g   |                         |          |       |
| Power supply            | DC12V ±10% / PoE (IEEE 802.3af compliant)                                      |                         |          |       |
| Power consumption       | DC12V, 5W / PoE, 6W  |                         |          |       |

|                           |   |
|---------------------------|---|
| Network                   |   |
| Video compression         | H.264 , Motion JPEG   |
| Resolution                | 1080P(1920 x 1080), 720P(1280 x 720), D1(720 x 480), CIF(352 x 240)   |
| Maximum frame rate        | H.264 : up to 15 fps @ 1920 x 1080 , 30fps @ 1280 x 720 , 30fps @ 720 x 480<br>Motion JPEG : up to 15 fps @ 1920 x 1080 , 30 fps @ 720 x 480 , 30 fps @ 352 x 240   |
| Video streaming protocol  | RTP/HTTP, RTP/TCP, RTP/UDP, Multicast   |
| Video bitrate             | 128Kbps - 5Mbps<br>Frame rate and bit rate controllable on-the-fly<br>VBR / CBR / GOP supported   |
| Security                  | Base64 HTTP encryption<br>Multiple user access levels with password protection<br>10 user accounts available  |
| Users                     | 8 simultaneous users  |
| Digital zoom              | Yes   |
| OSD                       | Text overlay for date, time, and camera name  |
| Alarm functions           | Image upload over FTP and E-mail by motion detection  |
| CPU, memory               | Embedded SoC ARM11, 528MHz, 256MB DDR2, 256MB flash memory  |
| Maintenance               | Firmware update via HTTP<br>Firmware available at web site  |
| Network interface         | 10Mbps / 100Mbps Base-T, RJ-45  |
| PC requirement            | OS : Windows 2000, Windows XP, Windows Vista, Windows 7, Windows 8<br>Browser : Windows Internet Explorer 6.0 or above<br>CPU : Intel Pentium 4 1.8GHz or above<br>RAM : 1GB or above, Independent Display Card |
| Network protocols         | IP, TCP, UDP, HTTP, SMTP, NTP, DDNS, UPnP, FTP, ARP, DHCP, PPPoE, DNS, RTSP, RTCP, Telnet, ICMP, IGMP, ONVIF Profile S, SNMP, SIP, Bonjour  |
| Mobile phone              | iPhone, iPad, and Android support   |
| System integration        | ONVIF & LILIN HTTP API  |
| Central management system | CMX 3.6 / NAV 1.0 support   |
| Video display             | LILIN Universal ActiveX & LILIN Java Applet   |
| OS                        | Embedded Linux 2.6.32   |