



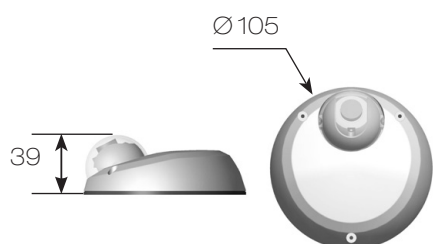
As with all Pro series cameras, 1080P HD Dome IP Camera IPD2220-IVS incorporates Sense up+, a unique technology that successfully delivers stunning video in low-light conditions. Utilizing intelligent image signal processing, AGC control, and 3D Noise Reduction, Intelligent Video Surveillance, this model successfully delivers the ultimate low-light image without motion blur. The IPD2220-IVS is capable of producing four independent video streams, different streams can be set for different applications, depending on the individual user requirements.

FEATURES :

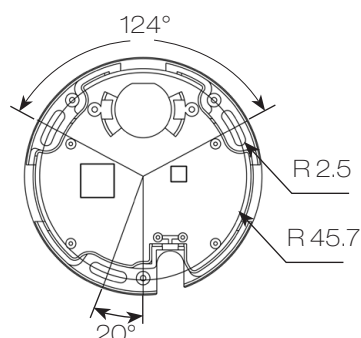
- Full HD 2 megapixel CMOS image sensor
- True H.264 AVC/MPEG-4 part 10 real-time Video compression
- H.264 and Motion JPEG multi-profile Video streaming
- 3D Noise Reduction (MCTF)
- 2D WDR function / Digital PTZ supported
- Intelligent Video Surveillance
- Face / tampering / audio / motion detection
- Built-in highly sensitive microphone
- One-way audio supported
- ONVIF supported

DIMENSIONS : (Unit : mm)

Ø105 x 39



INSTALLATION HOLE SITE DIAGRAM :



SPECIFICATION :

Name		1080P HD Dome IP Camera	
Model		IPD2220-IVS	
Lens	Focal Length		4.3 mm
	Iris		F1.6
	Angle of View	H	84.8°
		V	45.2°
D		100.6°	
Pick Up Element		1/2.7" CMOS image sensor	
Effective Pixels		1920 (H) x 1080 (V) = 2,073,600 (pixel)	
Chip Size		5.856mm (H) x 3.276mm (V)	
Scanning System		Progressive Scan	
Min. Illumination		0.6 Lux at F1.6	
White balance		Auto / Tungsten / Indoor / Fluorescents1 / Fluorescents2 / Outdoor1 / Outdoor2	
Back light compensation		Off / On	
Electrical Shutter		1/30s - 1/8000s	
Sense up		Off / 1 Frame / 2 Frames / 3 Frames / 7 Frames	
Sense up +		Yes	
Auto gain control		36 dB Variable Gain	
3D Noise Reduction		Off / 1 - 32 Selectable	
2D WDR		Off / On	
Privacy Masking		Off / On (4 zones)	
Image Effects		Brightness, Contrast, Hue, Saturation, Sharpness, Mirror, Flip	
Operating Temperature		-25°C - +50°C (-13°F - 122°F)	
Dimension		Ø 105 x 39mm	
Weight		250g	
Power Supply		DC12V ±10% / PoE (IEEE 802.3af compliant)	
Power Consumption		DC12V, 4.5W / PoE, 5W	

Network		
Video compression		H.264, Motion JPEG
Resolution		1080P(1920 x 1080), 720P(1280 x 720), D1(720 x 480), CIF(352 x 240)
Multiple profile	Profile #1	H.264 : up to 30 FPS @ 1920 x 1080, MJPEG : up to 30 FPS @ 720 x 480
	Profile #2	H.264 : up to 30 FPS @ 1280 x 720, MJPEG : up to 30 FPS @ 352 x 240
	Profile #3	H.264 : up to 30 FPS @ 1920 x 1080, MJPEG : up to 30 FPS @ 1280 x 720
	Profile #4	H.264 : up to 30 FPS @ 720 x 480, MJPEG : up to 15 FPS @ 1920 x 1080
Video streaming		RTP/HTTP, RTP/TCP, RTP/UDP, Multicast
Video bitrate		128Kbps - 5Mbps Frame rate and bit rate controllable on-the-fly VBR / CBR / GOP supported
Security		Base64 HTTP encryption Multiple user access levels with password protection 10 user accounts available
Users		8 simultaneous users
ePTZ & digital zoom		Yes, ROI is supported
OSD		Text overlay for date, time, and camera name
Intelligent Video Surveillance		Advanced Motion / Board Zone / Semaphore+Board Zone / Object Counting
Alarm function		Motion / tampering / face detection triggering recording into SD card Image upload over FTP and E-mail by face / tampering / audio / motion detection
CPU, memory		Embedded SoC ARM11, 528MHz, 256MB DDR2, 256MB flash memory
Maintenance		Firmware update via HTTP Firmware available at web site
Network interface		10Mbps / 100Mbps Base-T, RJ-45
PC requirement		OS : Windows 2000, Windows XP, Windows Vista, Windows 7, Windows 8 Browser : Windows Internet Explorer 6.0 or above CPU : intel pentium 4 1.8GHz or above RAM : 1GB or above, independent display card
Network protocols		IP, TCP, UDP, HTTP, SMTP, NTP, DDNS, UPnP, FTP, ARP, DHCP, PPPoE, DNS, RTSP, RTCP, Telnet, ICMP, IGMP, ONVIF Profile S, SNMP, SIP, Bonjour
Mobile phone		iPhone, iPad, and Android support
System integration		ONVIF & LILIN HTTP API
Central management system		CMX 3.6 / NAV 1.0 support
Video display		LILIN Universal ActiveX & LILIN Java Applet
OS		Embedded Linux 2.6.32
One-way audio		G.711 / PCM
SD card recording		Support Micro SD/SDHC card for circular recording (card is not included)