



# Video Surveillance for ATMs

Greatly reinforce ATM overall security

- Criminal investigation
- Prevent holdups
- Prevent violent confrontations
- Deter ATM skimming



 **LILIN**



## A perfect discreet camera to fit for your needs

### Miniature IP video surveillance camera to enhance ATM operations and security

ATMs are often placed in unsecured open locations with people walking by at all times, and robberies, attacks, fraud, and vandalism are a reality on a daily basis. The presence of security cameras can greatly enhance the level of safety around an ATM, making it less likely that customers will be confronted by threatening criminals looking to swipe their cash or cards.

LILIN Covert Series IP Camera is a network covert surveillance solution for ATM environment. LILIN is a global IP video manufacturer of IP video cameras, recording devices, and software with over 30 years of experience, LILIN offers the most advanced security benefits.



#### Benefits of IPC0122 ATM fitted covert IP camera:

- Improve safety and security
- Easy and flexible installation
- Discreet and functional design
- Power over Ethernet



 **LILIN**

# LILIN Covert Series Network Camera with Miniature Design for Exceptionally Discreet ATM Surveillance

LILIN IPC0122 IP camera offers exquisite small sized form factor, high performance cameras for covert installations for ATMs, where a well-thought-out and discreet video surveillance solution is needed. IPC0122 network camera is ideal for indoor installations. With the IP advantage – not only do you have cutting-edge surveillance, but also you get to streamline ATM operations.

LILIN IPC0122 covert ATM fitted IP camera is capable of sending automatic alarms when the camera is tampered with – to immediately inform you with any possible security breaches or crime. You can then therefore quickly deliver evidence to law enforcement authorities or stakeholders when further investigation is required.

## Benefits of LILIN IPC0122 Video Surveillance:

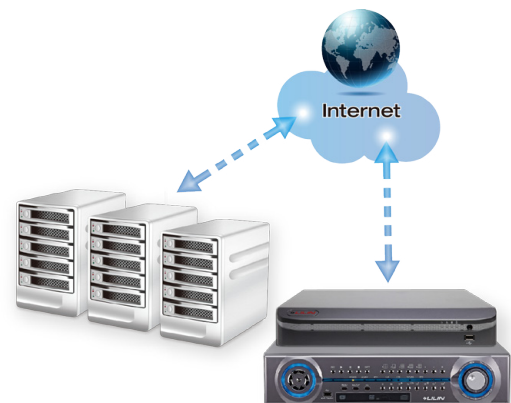
### ✓ Prevent violent confrontations

The presence of IPC0122 covert IP cameras are able to enhance the level of safety around an ATM, making it less likely that customers will be confronted by threatening criminals looking to swipe their cards.



### ✓ Digital storage

Network based security cameras enable users to backup and store video footage digitally on servers, video recorders, or harddrives



### ✓ Criminal investigation

IP based cameras are able to provide valuable visual evidence of crimes involving ATM cash machines. Archived footage can prove invaluable when an incident is reported.



### ✓ Deter ATM skimming

ATM security cameras can spot a potential skimming operation before it starts.





## LILIN IPC0122 ATM fitted network camera provides High Definition quality of video output – giving you clear images to identify possibilities even in poor lighting conditions

### ✓ Exquisite Form Factor

The small size and form factor offer excess flexibility for ATM environment. The main unit and sensor unit are connected together by a 6-meter long cable in providing definite flexibility to place the sensor unit in one place and the main unit elsewhere.

### ✓ Easy to Install & Flexible Mounting Option

LILIN IPC0122 covert IP camera comprises a main unit and a separate sensor unit which allows them to be mounted up to 6 meters apart. The unique form factor and small-sized sensor unit are able to perform embedded mounting at places where a concealed application is required.

**DIMENSIONS (Unit : mm) :**

Main module : 130mm(W) x 35mm(H) x 93mm(D)

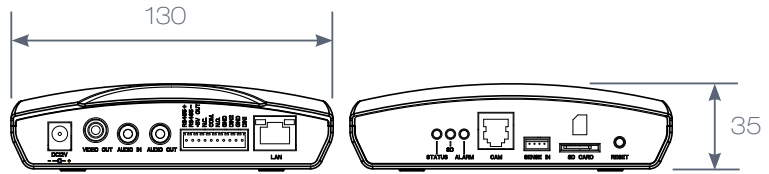
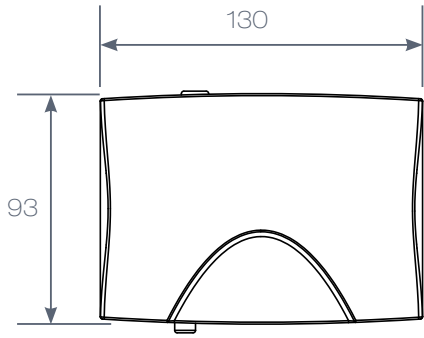
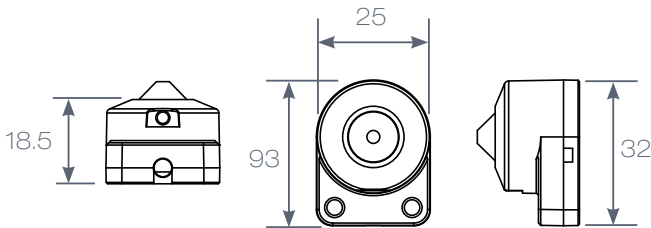


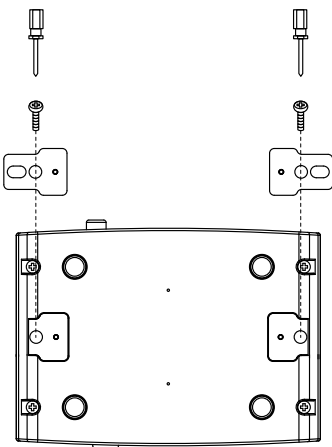
Image sensor module : Ø25 x 32mm



**Installation :**

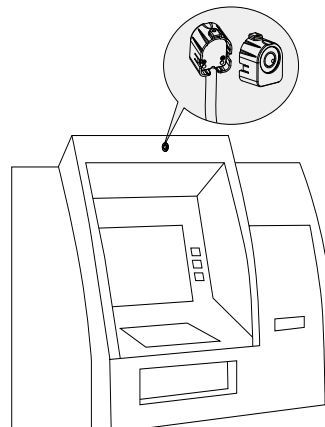
**✓ Main Unit Installation**

Use the screw driver to fix the iron plates on the bottom base and then put the provided screws (M4.0 x 25, wooden screw) through the holes, and fix the main unit in the desired position.



**✓ Sensor Unit Installation**

Drill a hole with 3mm diameter in the panel or wall, pull off the protection on the adhesive and attach the straight mounting bracket to the panel, Insert the sensor unit into the bracket, and fasten with the screw.



## SPECIFICATIONS :

Name	1080P HD Covert IP Camera			
Model	IPC0122P3			
Lens	Focal length	3.7 mm (Pinhole)		
	Iris	F2.8		
	Angle of view	H	100°	
		V	56°	
D		114°		
Pick Up Element	1/2.7" CMOS image sensor			
Effective Pixels	1920 (H) x 1080 (V) = 2,073,600 (pixel)			
Chip Size	5.856mm (H) x 3.276mm (V)			
Scanning System	Progressive Scan			
Min. Illumination	1.5 Lux at F2.8			
White Balance	Auto / Tungsten / Indoor / Fluorescents1 / Fluorescents2 / Outdoor1 / Outdoor2			
Back Light Compensation	Off / On			
Electrical Shutter	1/30s - 1/8000s			
Sense Up	Off / 1 Frame / 2 Frames / 3 Frames / 7 Frames			
Sense Up +	Yes			
Auto Gain Control	36 dB Variable Gain			
3D Noise Reduction	Off / 1 - 32 Selectable			
2D WDR	Off / Auto / x2 / x3 / x4			
Privacy Masking	Off / On (4 zones)			
Image Effects	Brightness, Contrast, Hue, Saturation, Sharpness, Mirror, Flip			
Live Video Output	CVBS 1.0Vp-p, 75 ohm, RCA connector			
Audio Input / Output	Mono, 1.4 Vp-p , 50 KΩ , 3.5mm phone jack			
Image Sensor Module Input	RJ-12 , 6 Pins			
Operating Temperature	-25°C - +50°C (-13°F - 122°F)			
Dimension	Main module : 130mm(W) x 35mm(H) x 93mm(D) , Image sensor module : Ø25 x 32mm			
Weight	Main module : 300g , Image sensor module : 180g			
Power Supply	DC12V ±10% / PoE (IEEE 802.3af compliant)			
Power Consumption	DC12V, 6W / PoE, 7.5W			

Network		
Video Compression	H.264 , Motion JPEG	
Resolution	1080P(1920 x 1080), 720P(1280 x 720), D1(720 x 480), CIF(352 x 240)	
Multiple profile	Profile #1	H.264 : up to 30 fps @ 1920 x 1080 , MJPEG : up to 30 fps @ 720 x 480
	Profile #2	H.264 : up to 30 fps @ 1280 x 720 , MJPEG : up to 30 fps @ 352 x 240
	Profile #3	H.264 : up to 30 fps @ 1920 x 1080 , MJPEG : up to 30 fps @ 1280 x 720
	Profile #4	H.264 : up to 30 fps @ 720 x 480 , MJPEG : up to 15 fps @ 1920 x 1080
Video Streaming	RTP/HTTP, RTP/TCP, RTP/UDP, Multicast	
Video Bitrate	128Kbps - 5Mbps	
	Frame rate and bit rate controllable on-the-fly	
	VBR / CBR / GOP supported	
Security	Base64 HTTP encryption	
	Multiple user access levels with password protection	
	10 user accounts available	
Users	8 simultaneous users	
ePTZ & Digital Zoom	Yes, ROI is supported	
OSD	Text overlay for date, time, and camera name	
Alarm Function	Alarm / motion / tampering detection triggering recording into SD card	
	Image upload over HTTP, FTP, and E-mail by tampering / audio / motion detection	
CPU, Memory	Embedded SoC ARM11, 528MHz, 256MB DDR2, 256MB flash memory	
Maintenance	Firmware update via HTTP	
	Firmware available at web site	
Network Interface	10/100Mbps Base-T, RJ-45	
PC Requirement	OS : Windows 2000, Windows XP, Windows Vista, Windows 7, Windows 8	
	Browser : Windows Internet Explorer 6.0 or above	
	CPU : Intel Pentium 4 1.8GHz or above	
	RAM : 1GB or above, Independent Display Card	
Network Protocols	IP, TCP, UDP, HTTP, SMTP, NTP, DDNS, UPnP, FTP, ARP, DHCP, PPPoE, DNS, RTSP, RTCP, Telnet, ICMP, IGMP, ONVIF Profile S, SNMP, SIP, Bonjour	
Mobile Phone and PDA	iPhone, iPad, and Android support	
System Integration	ONVIF & LILIN HTTP API	
CMX	CMX 3.6 / NAV 1.0 support	
Video Display	LILIN Universal ActiveX & LILIN Java Applet	
OS	Embedded Linux 2.6.32	
Two-way Audio	G.711 / PCM	
SD Card Recording	Support Micro SD/SDHC card for circular recording (card is not included)	
Alarm Input / Output	Digital 2 input (TTL, +3 - 5VDC) / 1 Output (Relay dry contact N.O. / N.C. , Load max. 24VDC/1A)	
Control Interface	RS-485 , Half-Duplex , support MLP2 , Pelco D/P protocols	
Sensing Input Interface	Temperature, humidity, PIR and light intensity reading interfaces (optional)	



## About LILIN

LILIN, a global IP video manufacturer of IP video cameras, recording devices, and software with over 30 years of experience. Throughout the years, the company has maintained its dedication to *Creativity, Progress, and Excellence* providing expertise in digital video with a strong focus on innovation.

Established in New Taipei City, Taiwan in 1980, the company has quickly grown to be among the world's leading manufacturer in the advanced IP video surveillance industry. LILIN is proud to have strong relationships with over 50 valued software and integration partners, and is recognized as the first camera company to become ONVIF-conformant.

### LILIN Taiwan Headquarters

- Address: NO. 20, Wugong 6th Rd., Wugu District, New Taipei City, 248, Taiwan
- TEL: +886 2 2298 8988 • Fax: +886 2 2298 9077 • email: [sales@meritlilin.com](mailto:sales@meritlilin.com) • Web: [www.meritlilin.com](http://www.meritlilin.com)

### International Branch Offices

Australia / Guangzhou, China / France / Germany / Hong Kong / Italy / Malaysia / Spain / UK / USA

